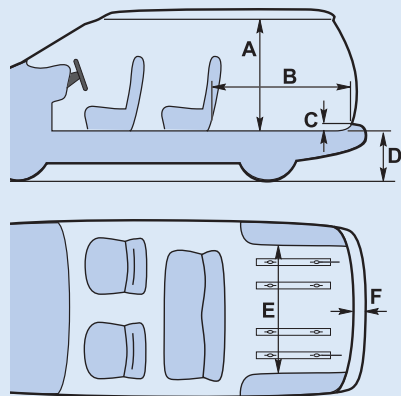
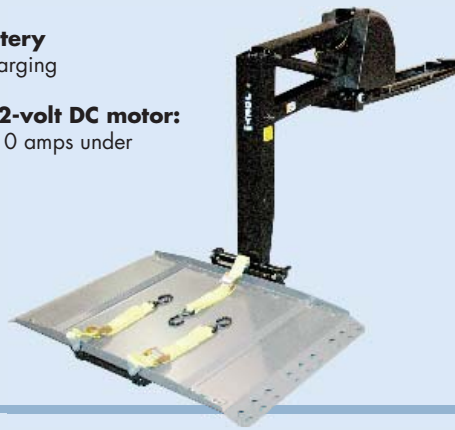


Overall Length: 115 cm
Overall width: 112 cm
Overall height: 97 cm
Unit weight: 75 kg
Platform Size: 69 cm x 112 cm
Max. Lifting Capacity: 159 kg

12-volt DC battery
 with on-board charging

Heavy-duty, 12-volt DC motor:
 Draws less than 10 amps under
 159 kg load.



- A** 102 cm min. Floor ceiling and/or height of cargo opening for Joey tower only. Additional clearance may be required for scooter or power chair.
- B** 112 cm min. Inside edge of door sill to middle seats.
- C** 5 cm max. Sill height.
- D** 69 cm max. Floor of van to ground.
- E** 114 cm min. Between wheel housings and/or width of cargo opening for the Joey platform only.
- F** 33 cm max. Inside edge of door sill to outside edge of bumper.

JOEY LIFT®

An easy way of stowing your power wheelchair



Please
 find more
 information on
www.autoadapt.com



Autoadapt AB, Hedeforsvägen 6,
 S-443 61 Stenkullen, Sweden
 Tel: +46 (0)302 558 20 Fax: +46 (0)302 558 29
 E mail: contact@autoadapt.se www.autoadapt.com

Autoadapt UK Ltd, Unit 4, Windsor Industrial Estate,
 Rupert Street, Aston, B7 4PR Birmingham, UK
 Phone: 0121 3335170 Fax: 0121 3596194
 E mail: contact@autoadapt.co.uk www.autoadapt.co.uk



JOEY LIFT®

A minimum of muscle power is needed

The Joey platform lift demands very little effort from the user - just drive on to the platform, secure the wheelchair or scooter, press the hand control button and the job is done.

This is the ideal wheelchair stower for people with reduced muscle abilities. The Joey lift will make it very easy for you to bring the wheelchair/scooter along.

The vertical and horizontal speed is programmable to meet a user's needs.



Safety

- The Joey platform wheelchair lift is **crash tested** and CE-marked.
- The lift has a manual back-up system.
- When the lift platform is in the inside docked position (and ready to charge), a green led will shine to indicate this.
- An obstruction sensor makes sure no foreign object interferes with the lifts movement inside the vehicle.



Platform is in the inside docked position.

An easy way of loading/unloading your wheelchair



Secure before loading

Secure the wheelchair while placed on the platform outside the vehicle. This is a big advantage as it is much easier to reach there. You can forget about crawling inside the compartment searching for securement belts.



Heavy weight capacity

The Joey has a capacity of loading wheelchairs or scooters weighing up to 159 kg. The lift has its own power source of a 12 V rechargeable battery. It draws less than 10 amps under maximum load.



The compact rail design uses only the third row seat fixings in the floor.



Safety plate obstruction sensor.

Smart installation

The Joey lift uses the third seat row floor pockets for mounting. The compact rail design maintains all 2nd row seating. The installation leaves the vehicle intact without any interference in the vehicle construction.

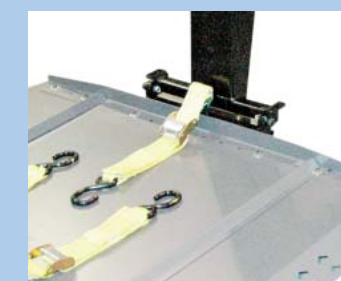
Retractable belts

Retractable belts are available as option. Bear in mind that retractable belts add to the platform measure at the rear end.



For uneven surfaces

The Joey platform is angle adjustable and adapts to uneven, slightly sloping ground. It is self-leveling up to 5 degrees.



Only one button to operate the lift

Fully powered operation with only one button to press.

Once the wheelchair is secured to the platform you just press the hand control button and the lift does all the work.